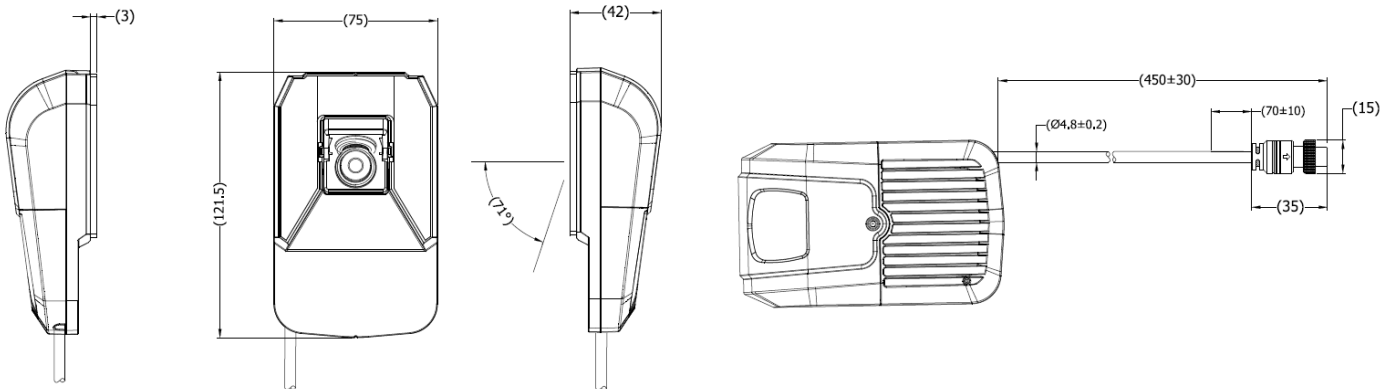


Product Specification



Brigade Model Number: IP-1000C
Part Number: (5935)



Dimensions: mm

Environmental Specifications:

- Operating Temperature: -40° to +70°C
- Storage Temperature: -40° to +85°C
- Camera IP Rating: IP20
- Vibration Rating: 6G
- Shocking Rating: 51G

Approved Standards:

- CE - (EN55032:2015, EN55024:2010+A1:2015)
- FCC - (47 CFR Part 15 Subpart B)
- IC - (ICES-003:2016 (Issue 6))
- E-Mark - (UNECE Regulation 10 Rev. 5)
- RoHS2
- REACH
- WEEE

Technical Specifications:

- Operating Voltage: 12 Vdc ± 2Vdc
- Current Consumption: 140mA @ 12 Vdc
- Viewing Angle: 87° (H), 48° (V), 95° (D)
- Lens Focal Length: 4mm
- Picture Elements: 1920(H) x 1080(V)
- Visual Resolution: 800 TV Lines
- Required Illumination: 0.05 Lux
- Imaging Device: CMOS
- Video Output Signal: H.264 or H.265
- Network Protocol: MDR5, ONVIF, TCP/IP, HTTP, DHCP, NTP, FTP
- Overall Dimensions: 75mm (W) x 121.5mm (H) x 42mm (D)
- Assembled Weight: 224 Grams
- Housing Material: Cast Aluminium / ABS +PC
- Finish: Black

Features:

- High-definition picture quality
- Windscreen-mounted camera. adjustment range in assembly 0° downwards to 71° (camera housing obstruction will appear below 46°)
- Camera View normal, mirror / flip view settings via MDR OSD or IP camera web interface
- Built-in web server supports web browser access
- Fast setup feature available in MDR 500 Series to auto-assign IP address for IP cameras
- Integrated microphone
- VBV type female connector (6-pin)
- Back light compensation
- Automatic white balance

Package Contents:

- 1x IP-1000C-C IP Camera
- 1x LENS CLEANER Lens Cleaner
- 1x IP-1000C-FIX Fixing Kit
- 1x IP-1000C-IG Installation Guide

Optional Ancillaries:

- IP-1XXX-PC IP Camera Power and Ethernet Cable
- IP-1000C-3M-PAD 3M adhesive Pad
- IP-EM4 PON Switch-4 Ports
- IP-EM8 PON Switch-8 Ports
- IP-L601 Extension Cable - 1m
- IP-L603 Extension Cable - 3m
- IP-L605 Extension Cable - 5m
- IP-L610 Extension Cable - 10m
- IP-L615 Extension Cable - 15m
- IP-L620 Extension Cable - 20m
- IP-L630 Extension Cable - 30m